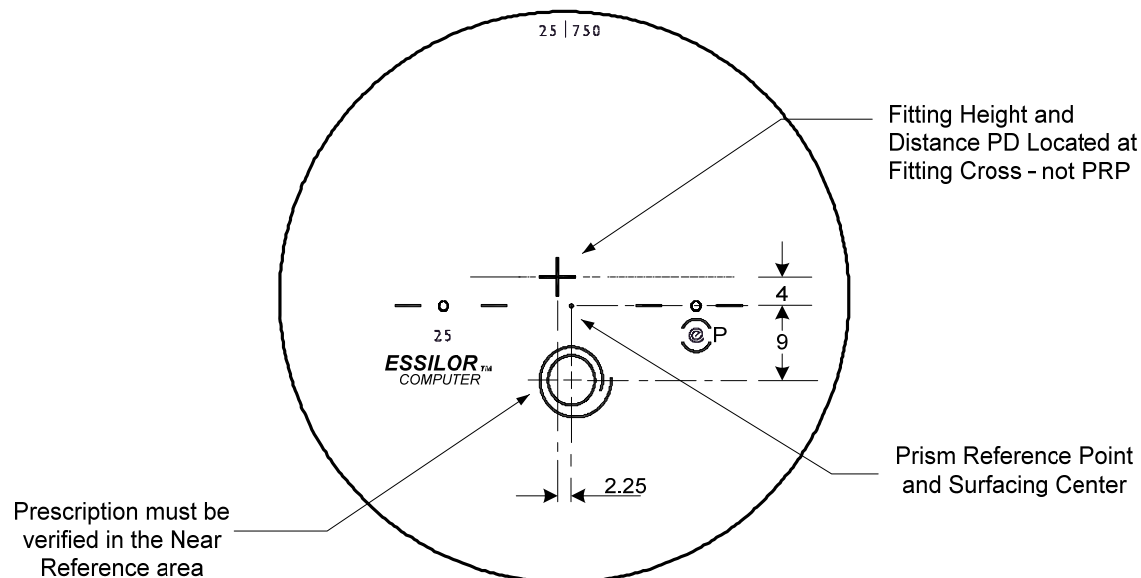


Essilor Computer™ Airwear®

Finish Layout and Edging



The Essilor Computer Lens is fit, ordered, and processed like a typical progressive lens EXCEPT for two key differences:

1. The Fitting Cross is positioned 4mm above the PRP. However, unlike most progressives, it is offset horizontally from the Prism Reference Point (PRP) by 2.25 mm (out).
2. The sphere, cylinder, and axis must be verified in the near circle – not in the distance area. The center of the near circle is located 9 mm below the PRP. Verify any prescribed prism at the PRP.

The Fitting Cross (NOT the PRP) is to be placed at the specified Distance PDs and Fitting Heights. This is vital to the successful fitting of the lens.

Check with your supplier to ensure that your finish blocker software contains the necessary product files for Essilor Computer, so the layout calculations place the Fitting Cross correctly - at the specified Distance PDs and Fitting Height.

Static cling verification masks are available from Essilor – see below (order Literature Code LESS200237). Note that this label is similar to labels for typical progressive lenses, but it is reversed vertically. Be sure to orient correctly, so that verification can only be done in the near circle.

